



TempStar™ HH

Project _____
 Item _____
 Quantity _____
 CSI Section 11400 _____
 Approval _____
 Date _____

Models

- TempStar™ HH



Standard Features

- Sani-Sure™ feature assures proper rinse water temperature
- Multi-cycle timer (Extra Heavy, Heavy, Medium, Normal)
- Extended 15 sec. high-temperature rinse provides superior coverage and rapid drying
- 20 3/4" (527 mm) wide X 27" (686 mm) high opening accommodates 18" (457) X 26" (660 mm) sheet pans and 60 quart mixing bowls
- Auto-fill / auto-start
- Safety door switch
- Delime/manual wash switch
- Low watt density electric wash tank heater
- Hi-limit thermostat and low water protection
- Adjustable bullet feet
- Uses standard 20" X 20" (508 mm X 508 mm) racks
- Front dress panel
- Detergent/rinse additive signal connection fuse box
- Built-in 40°F (60°C) booster heater is standard; 70°F (21°C) booster is available. Must be specified at time of order.
- Lower counter-rotating wash arms and upper wash arm provide optimum spray coverage and superior cleaning action
- Self-draining stainless steel pump
- Split-door design accommodates installations with low ceiling heights
- Large scrap tray

Mandatory Specs

- Specify voltage
- Specify booster size
- Specify electric or steam

Optional Features

- Optional 70°F (21°C) rise booster heater is available with no additional cost (must be specified)
- Drain quench system
- Scaltrol
- Flanged feet
- Water hammer arrestor

Accessories

- 36" (914 mm) compartment rack 4 1/6" (4 mm) tall
- 36" (914 mm) compartment rack 5 5/8" (16 mm) tall
- 36" (914 mm) compartment rack 7" (178 mm) tall
- Combination rack
- Peg rack
- Sheet pan rack (18" X 26" / 457 mm X 660 mm baking pans)

Specifications

Uses 1.36 gallons (5 liters) of 180°F (82°C) water per rack

Total automatic (normal) cycle - 62 seconds

53 racks per hour normal cycle

2HP Wash Pump Motor

Single Point connections for all utilities

Built-in water pressure regulator and gauge

Field convertible from straight through to corner operations

Heavy duty stainless steel construction



Highway 25E
 P. O. Box 1060
 Barbourville, KY 40906

Tel: 606-523-9795
 Tel: 1-888-800-5672
 Fax: 606-523-9196
 E-mail: info@jacksonmsc.com

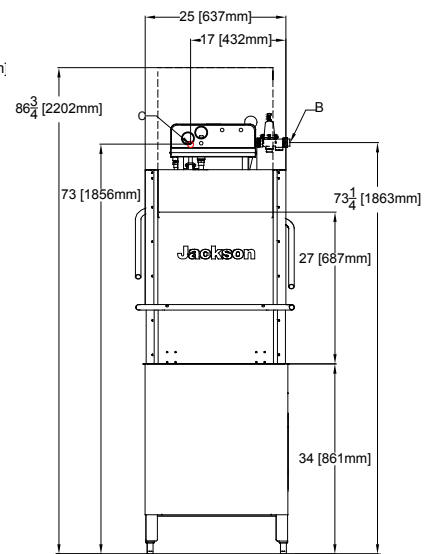
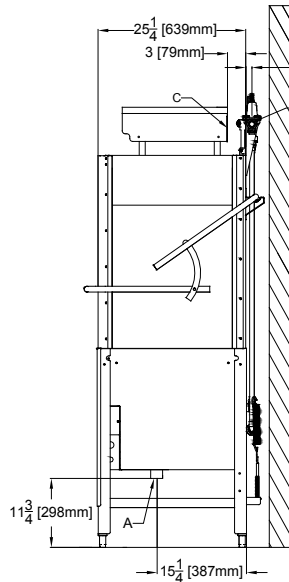
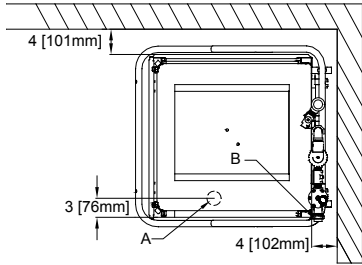
www.jacksonmsc.com
 07610-002-66-60B (09/07)



LEGEND

- A - DRAIN 1 1/2" IPS
- B - WATER INLET 3/4" IPS
- C - ELECTRICAL CONNECTION

All vertical dimensions are +/- 1/2" due to adjustable bullet feet.



DIMENSIONS--STANDARD MODEL

MODEL NO.	SIZE			DRAIN HEIGHT	SHIPPING INFO			DIMENSIONS		
	HEIGHT	WIDTH	DEPTH		WEIGHT	CLASS	CUBE	HEIGHT	WIDTH	DEPTH
TempStar™HH	76-3/4" (1949 mm)	25-1/4" (641 mm)	25-1/4" (641 mm)	11-3/4" (298 mm)	420 lbs (191 kg)	92.5	71.4 cu. ft.	85" (2159 mm)	44" (1118 mm)	33" (838 mm)

DIMENSION REQUIREMENTS

Minimum Ceiling Height (Recommended)	88" / (2 meters)
Wall Clearance (Minimum)	4" / (102 mm)
Standard Table Height	34" / (864 mm)
Inside Clearance	17-1/4" / (438 mm)

STEAM REQUIREMENTS

Steam Flow Pressure (PSIG)	15-20
Consumption @ 15 PSIG (lbs/hr)	45

OPERATING CAPACITY

Racks per Hour	Normal 53	Medium 28	Heavy 19	Extra Heavy 11
OPERATING CYCLE (sec)	Wash	Rinse	Dwell	Total Cycle
Normal	45	15	2	62
Medium	103	15	2	120
Heavy	163	15	2	180
Extra Heavy	283	15	2	300

WATER REQUIREMENTS

Inlet Temperature	
40°F / (4°C) Rise	140°F / (82°C)
70°F / (21°C) Rise	110°F / (60°C)
Gallons per hour	72.1 / 273 Ltr.
Gallons per rack	1.36 / 5 Ltr
Waterline Size IPS (Minimum-inches)	3/4
Drainline Size IPS (Minimum-Inches)	1-1/2
Waterline Flow Rate (GPM)	5.44
Flow Pressure (PSI)	15-25
Tank Capacity	3 gals / (11 ltrs)
Wash Tank	8 Gal. / (30 ltr)
Booster Tank	3 Gal. / (11 ltr)

OPERATING TEMPERATURES

Wash (Minimum)	150°F / (66°C)
Rinse (Minimum)	180°F / (82°C)

WASH PUMP MOTOR

Wash Pump Motor Horsepower	2 HP		
	Volts	KW	
Electric Wash Tank Heater	208V	4.1	
	230V	5.0	
	460V	5.0	
Electric Rinse Tank Heater	40°F (4°C) Rise	208V	9.0
		230V	11.0
		460V	11.0
	70°F (21°C) Rise	208V	10.5
		230V	12.9
		460V	12.9

APPROXIMATE LOAD AMPS

	40°F (4°C) Rise	70°F (21°C) Rise
Power Supply	AMPS	AMPS
208V/60HZ/1PH	74.2	81.4
208V/60HZ/3PH	47.6	51.8
230V/60HZ/1PH	80.9	89.0
230V/60HZ/3PH	51.4	56.2
460V/60HZ/3PH	23.4	25.8

How To Specify - TempStar™ HH

Highway 25E
P. O. Box 1060
Barbourville, KY 40906

Tel: 606-523-9795
Tel: 1-888-800-5672
Fax: 606-523-9196
E-mail: info@jacksonmsc.com

www.jacksonmsc.com
07610-002-66-60B (09/07)

